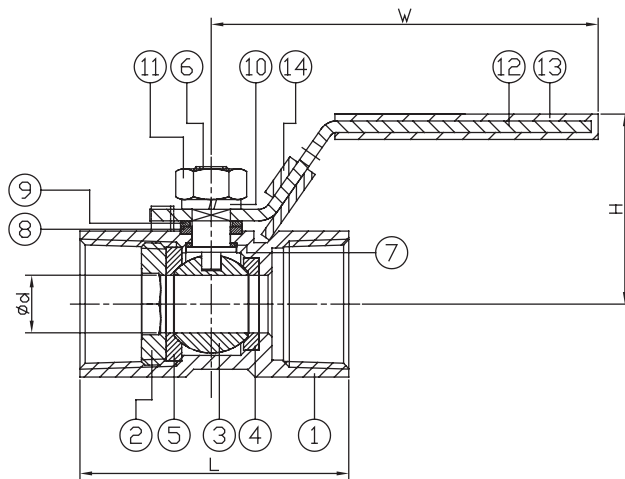




## FEATURES

- Reduced port, 1/4"~3" (DN8~DN80)
  - W.P. : 1000 WOG (PN63)
  - W.T. : -20°C~200°C (-4°F~392°F)
  - Investment casting
  - Blow-out proof stem
  - Anti-static device (option)
  - Locking device
- Thread type : ASTM B1.20.1 (NPT)  
DIN2999 & BS21  
ISO7/1 & EN10226



ITEM	PARTS	MATERIAL	
1	BODY	ASTM A351-CF8M	
2	RETAINER	ASTM A351-CF8M	
3	BALL	ASTM A351-CF8M	
4	SEAT A	PTFE / RTFE	
5	SEAT B	PTFE / RTFE	
6	STEM	AISI 316	AISI 304
7	THRUST WASHER	PTFE	
8	PACKING	PTFE	
9	GLAND RING	AISI 304	
10	SPRING WASHER	AISI 304	
11	STEM NUT	AISI 304	
12	HANDLE	AISI 304	
13	HANDLE SLEEVE	PVC	
14	LOCKING DEVICE	AISI 304	

DN	d	L	W	H
8	5	39	71	33
10	7	44	91	35
15	9.2	55	95	40
20	12.5	59	95	44
25	15	69	113	50
32	20	77	113	57
40	25	81	141	64
50	32	97	141	68
65	38	127	190	85
80	50	153	190	90

unit:mm

NPS	d	L	W	H
1/4"	0.2	1.54	2.8	1.3
3/8"	0.28	1.73	3.58	1.38
1/2"	0.36	2.17	3.74	1.57
3/4"	0.49	2.32	3.74	1.73
1"	0.59	2.72	4.45	1.97
1-1/4"	0.79	3.03	4.45	2.24
1-1/2"	0.98	3.19	5.55	2.52
2"	1.26	3.82	5.55	2.68
2-1/2"	1.5	5	7.48	3.35
3"	1.97	6.02	7.48	3.54

unit:in