



**SUPERLOK®**

# SAE J518 & ISO 6164 Flanged Ball Valve

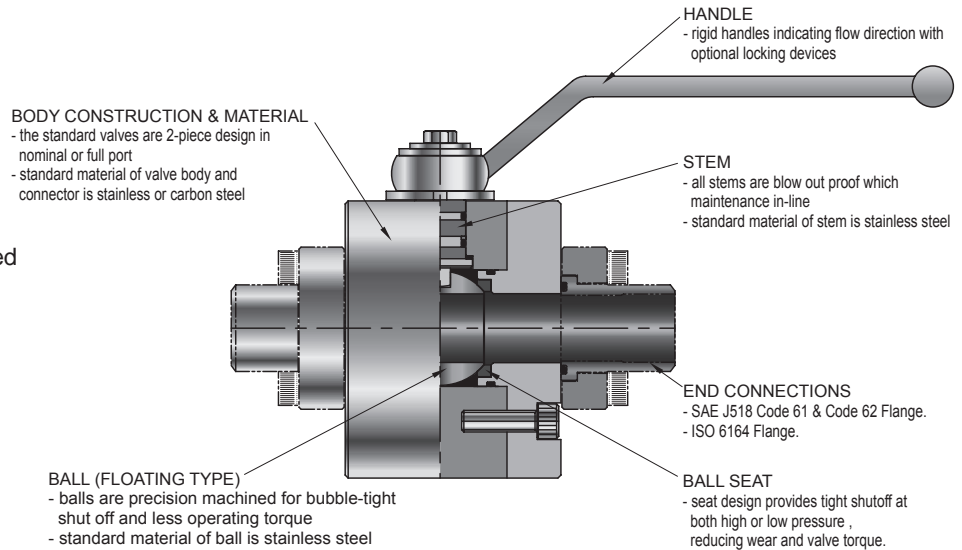
SBVE Series



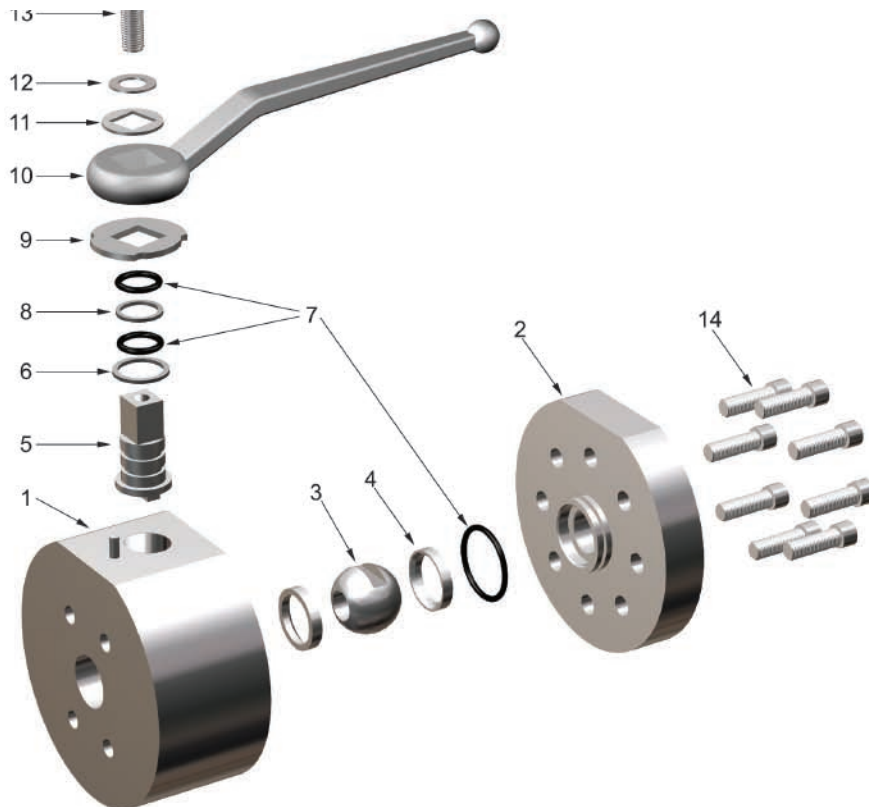
# SAE J518 & ISO 6164 Flanged Ball Valve

## Specification

- Dual pattern Code 61 & 62
- Compact design
- Blow out proof stem
- Fire safety design
  - API 607 / BS 6755 PART 2
- End connection
  - SAE J518 Code 61 & 62 Flanged
  - ISO 6164 Flanged
- Pressure Rating
  - SAE J518 CODE 61 : 3000psi
  - SAE J518 CODE 62 : 6000psi
  - ISO 6164 : PN250, PN400
- Temperature range
  - -20°C ~ 100°C

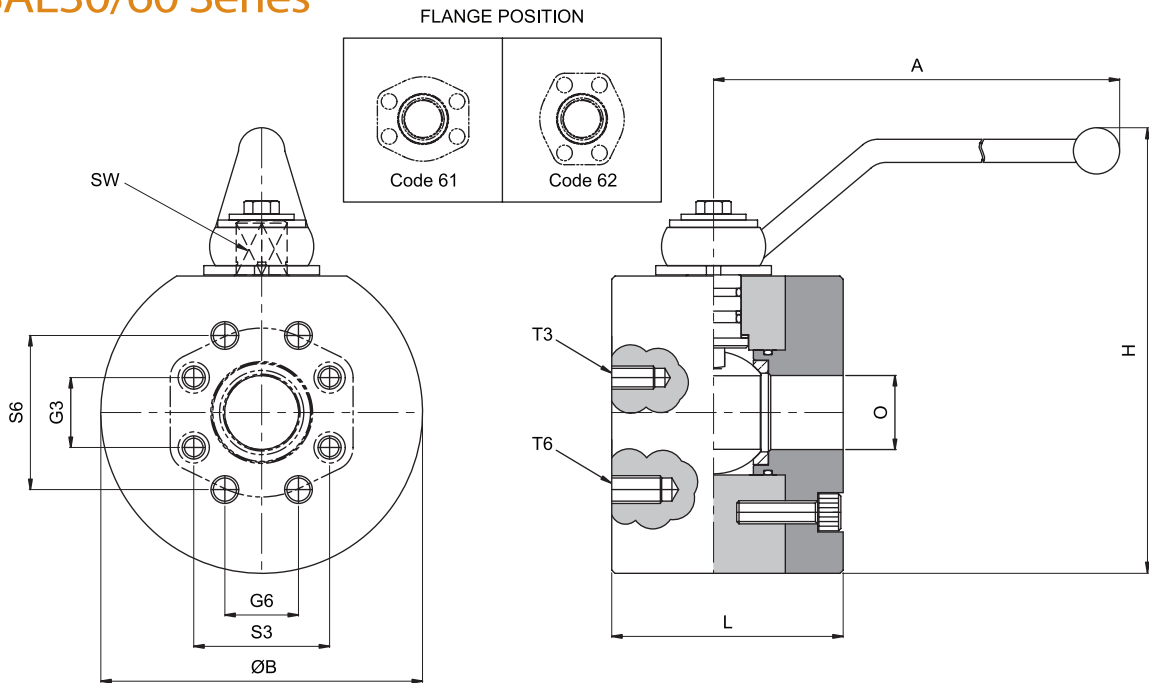


## SBVE Series



NO.	PART NAME
1	BODY
2	BODY CAP
3	BALL
4	BALL SEAT
5	STEM
6	THRUST WASHER
7	O-RING
8	BACKUP RING
9	LOCKING DEVICE
10	HANDLE
11	STEM WASHER
12	WASHER
13	STEM BOLT
14	BODY BOLT

## SBVE - SAE30/60 Series



### Table of dimensions

#### SAE J518 CODE 61 (3000psi)

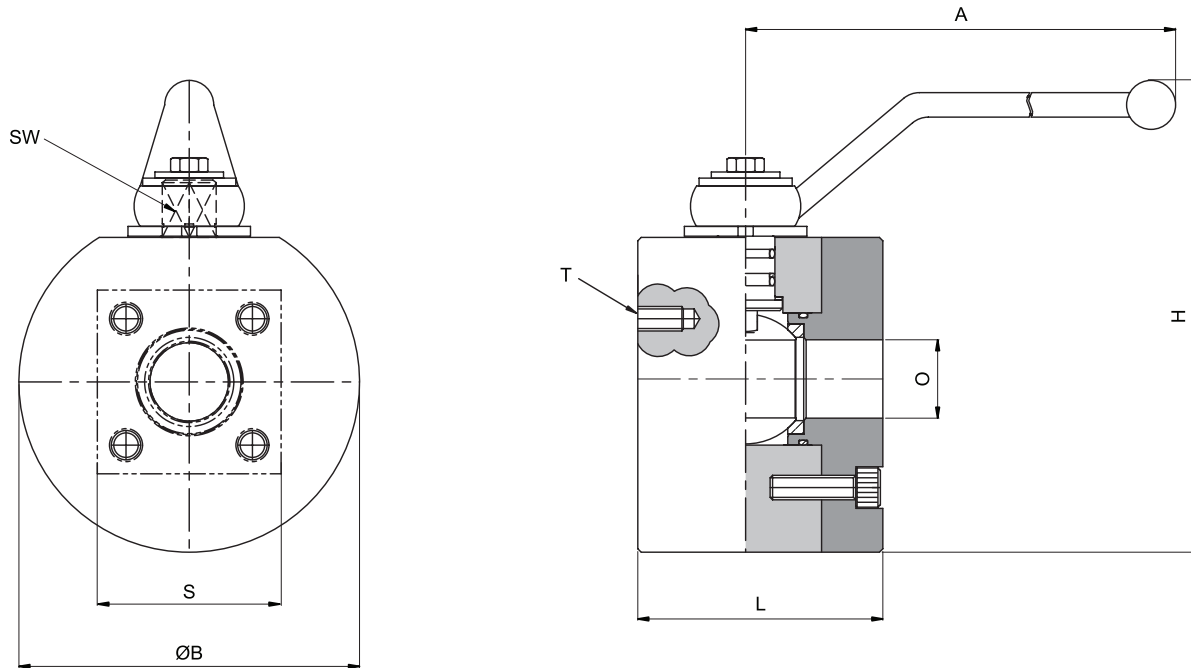
Part Number	Nominal Flange Size (inch)	DN	Nominal Working Pressure (bar)	O	A	ØB	H	L	T3 METRIC (UNC)	S3	G3	SW
SBVE - 15 - SAE30	1/2"	15	210	15	160	78	130	75	M8 (5/16"UNC)	38.10	17.48	12
SBVE - 20 - SAE30	3/4"	20	210	19	200	98	155	80	M10 (3/8"UNC)	47.63	22.23	14
SBVE - 25 - SAE30	1"	25	210	25	200	118	170	88	M10 (3/8"UNC)	52.37	26.19	14
SBVE - 32 - SAE30	1-1/4"	32	210	32	250	145	205	100	M10 (7/16"UNC)	58.72	30.18	17
SBVE - 40 - SAE30	1-1/2"	40	210	38	250	165	230	110	M12 (1/2"UNC)	69.85	35.71	17
SBVE - 50 - SAE30	2"	50	210	48	300	198	255	116	M12 (1/2"UNC)	77.77	42.88	19
SBVE - 65 - SAE30	2-1/2"	65	210	63	300	198	260	150	M12 (1/2"UNC)	88.90	50.80	19
SBVE - 80 - SAE30	3"	80	210	76	350	210	280	180	M16 (5/8"UNC)	106.38	61.93	24
SBVE - 100 - SAE30	4"	100	210	88	400	258	345	200	M16 (5/8"UNC)	130.18	77.77	24

\* All dimensions in millimeters unless specified as "inch". Dimension are for reference only, subject to change.

#### SAE J518 CODE 62 (6000psi)

Part Number	Nominal Flange Size (inch)	DN	Nominal Working Pressure (bar)	O	A	ØB	H	L	T6 METRIC (UNC)	S6	G6	SW
SBVE - 15 - SAE60	1/2"	15	420	13	160	78	130	75	M8 (5/16"UNC)	40.49	18.24	12
SBVE - 20 - SAE60	3/4"	20	420	19	200	98	155	80	M10 (3/8"UNC)	50.80	23.80	14
SBVE - 25 - SAE60	1"	25	420	25	200	118	170	88	M12 (7/16"UNC)	57.15	27.76	14
SBVE - 32 - SAE60	1-1/4"	32	420	32	250	145	205	100	M14 (1/2"UNC)	66.68	31.75	17
SBVE - 40 - SAE60	1-1/2"	40	420	38	250	165	230	120	M16 (5/8"UNC)	79.38	36.50	17
SBVE - 50 - SAE60	2"	50	420	43	300	198	255	130	M20 (3/4"UNC)	96.82	44.45	19
SBVE - 65 - SAE60	2-1/2"	65	420	60	300	198	260	150	M24 (1"UNC)	123.80	58.80	19
SBVE - 80 - SAE60	3"	80	420	63	350	210	280	180	M30 (1-1/8"UNC)	152.40	71.60	24

## SBVE - ISO25/40 Series



### Table of dimensions

#### ISO 6164-2 (250bar)

Part Number	Nominal Flange Size (inch)	DN	Nominal Working Pressure (bar)	O	A	ØB	H	L	T METRIC (UNC)	S	SW
SBVE - 15 - ISO25	1/2"	15	250	15	160	79	130	75	M10 (3/8"UNC)	60	12
SBVE - 20 - ISO25	3/4"	20	250	19	200	99	155	80	M12 (7/16"UNC)	70	14
SBVE - 25 - ISO25	1"	25	250	25	200	118	170	88	M12 (7/16"UNC)	80	14
SBVE - 32 - ISO25	1-1/4"	32	250	32	250	139	205	100	M16 (5/8"UNC)	90	17
SBVE - 40 - ISO25	1-1/2"	40	250	38	250	160	230	110	M16 (5/8"UNC)	90	17
SBVE - 50 - ISO25	2"	50	250	48	300	179	255	116	M16 (5/8"UNC)	100	19

#### ISO 6164-2 (400bar)

Part Number	Nominal Flange Size (inch)	DN	Nominal Working Pressure (bar)	O	A	ØB	H	L	T METRIC (UNC)	S	SW
SBVE - 15 - ISO40	1/2"	15	400	13	160	79	130	75	M10 (3/8"UNC)	60	12
SBVE - 20 - ISO40	3/4"	20	400	19	200	99	155	80	M10 (3/8"UNC)	60	14
SBVE - 25 - ISO40	1"	25	400	25	200	119	170	88	M12 (7/16"UNC)	70	14
SBVE - 32 - ISO40	1-1/4"	32	400	32	250	139	205	100	M12 (7/16"UNC)	80	17
SBVE - 40 - ISO40	1-1/2"	40	400	38	250	160	230	120	M16 (5/8"UNC)	90	17
SBVE - 50 - I40	2"	50	400	43	300	179	255	130	M16 (5/8"UNC)	100	19

• All dimensions in millimeters unless specified as "inch". Dimension are for reference only, subject to change.

## Material of Construction

Component	Valve Body Materials	
	Stainless Steel	Carbon Steel
Body	A182 F316	A105 + Zinc plated
Body Cap		
Stem	A479 TP 316	A105 + Hard Cr
Ball		
Ball Seats	POM - MoS2	
Stem / Connector Seals	VITON / NBR / GRAPHITE	
Handle	A351 CF8M / A276 TP316	A216 WCB / A105+Zinc plated
Locking Device	Stainless Steel	

## Application

- Pipeline construction    ■ Machine tool    ■ System engineering    ■ Off - shore sector    ■ Marine hydraulic
- Power units    ■ Oil & Gas refinery rings

## Ordering Information

**Example :**      **SBVE - 15 - SAE30 - N - SS**

1
2
3
4
5
6

### 1. Valve Series

SBVE

### 2. Connection Size

Size (inch)	1/2	3/4	1	1-1/4	1-1/2
Identify	15	20	25	32	40
Size (inch)	2	2-1/2	3	4	5
Identify	50	65	80	100	125

### 3. Connection Type

SAE : SAE J518 Code 61 / 62  
ISO : ISO 6164 - 2

### 4. Nominal Pressure

30 : 3000psi  
60 : 6000psi  
25 : 250bar  
40 : 400bar

### 5. Stem Seal

(BLANK) : VITON  
N : NBR

### 6. Body Material

(BLANK) : Stainless Steel  
C : Carbon Steel



## **SAE J518 & ISO 6164 Flanged Ball Valve**